

TSS-5790 B Outdoor Siren (Blue)
TSS-5790 R Outdoor Siren (Red)
INSTALLATION AND USER MANUAL

Release Date: 31/01/19 Rev:03

WARNINGS

- ✓ The sound level of this device may cause hearing loss. Not be used indoors.
- ✓ The sound level of the device may be harmful to the human ear. Use headphones during installation.
- ✓ Please read this manual carefully before operating the devices and save them for later use.
- ✓ Follow all warnings, precautions, operating and operating instructions in this manual.
- ✓ When cleaning the devices, be sure to remove the electrical connection, do not use liquid cleaner (detergent etc.), clean with a damp cloth.
- ✓ Keep devices away from water and moisture.
- ✓ Always install the device on a solid base as it may cause damage to the device and / or the environment due to improper installation of the device.

ENVIRONMENTAL CONDITIONS:

Are listed under Properties.

POWER SOURCE:

Only use the device with the voltage specified in this manual. Please contact your dealer or the manufacturer if you are unsure about the supply voltage of the device.

SUPPLY CABLE PROTECTION:

Protect the incoming power supply cable from crushing and breaking.

SERVICE:

Do not attempt to repair the appliance yourself as there are no items to be repaired on the appliance. If you open the appliance cover, you may be exposed to electric shock. In the event of any failure, contact your dealer or authorized service facility. Technical intervention to the device must only be performed by qualified service personnel.

FAILURE CONDITIONS REQUIRING SERVICE:

Please contact your dealer if any incorrect operation may cause other malfunctions.

- If the device has been dropped or the enclosure has been damaged,
- If there is a noticeable change in performance,
- Does not operate normally according to the operating instructions specified in the user manual,
- When the device is not operated under the specified ambient conditions,

SPARE PART:

Make sure the service technician is using genuine or equivalent parts to avoid the risk of fire, electric shock, or other malfunction if the repair is to be carried out by replacing parts.

SECURITY CHECK:

Request a service from your dealer to check that the device is working properly and safely

TRANSPORTATION:

The device must be carefully handled so that it is not exposed to any external impact and does not contradict the liquid inlet. Malfunctions resulting from improper transport are not covered by the warranty.

HUMAN HEALTH AND ENVIRONMENTAL:

This device does not contain any chemical or biological substances that may harm human health.

WHAT YOU CAN DO FOR YOUR OWN:

Do not attempt to repair the device yourself because you may be exposed to electric shock if you open the cover. In the event of any failure, contact your dealer or authorized service facility. Technical intervention to the device must only be carried out by qualified service personnel. Clean the device with a dry cloth. No chemical substances should be used.

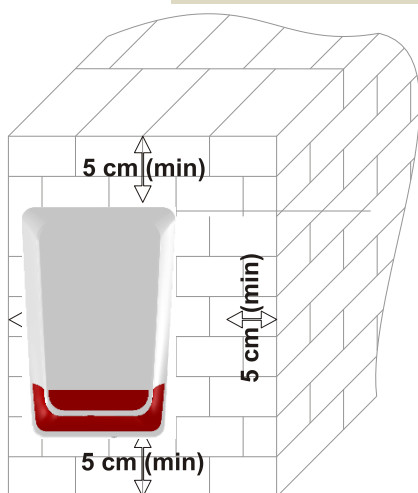
TECHNICAL SPECIFICATIONS

Sound Level (@1 m)	115 dB (± 3 dB) max
Operation Voltage	12 – 24V DC
Consumption (@12 V)	
During Alarm:	
EXT Mode	285 mA \pm %10
INT Mode	50 mA
Standby	75 mA
Battery Charge	64 mA (Approx.)
Operation Temperature	-10°C ~ +65°C
Humidity	%95 at +40°C
Dimensions	197 x 300 x 78 mm
Weight	762 gr

TSS-5790 supports 6x ultra bright LED, EXT and INT operation options and wide area for company logos. Besides of these;

- ✓ Two different siren sounds
- ✓ 2-stage charging voltage
- ✓ Faulty battery warning system (LED indicator onboard)
- ✓ Thick / thin sound option
- ✓ Automatic energy cut / sabotage separation
- ✓ Adjustable automatic shut-off time (3min/10min)
- ✓ Ability to work with external or internal energy
- ✓ Automatic trigger detection
- ✓ 6 ultra-bright LED flasher
- ✓ Effective LED light view from the bottom and sides
- ✓ Built-in rechargeable Ni-MH battery (6V 350mAh Ni-Mh)
- ✓ "First installation system" preventing noise pollution during installation
- ✓ Tamper switch against opening and unlatching front cover
- ✓ 2.8mm thick ABS housing

INSTALLATION

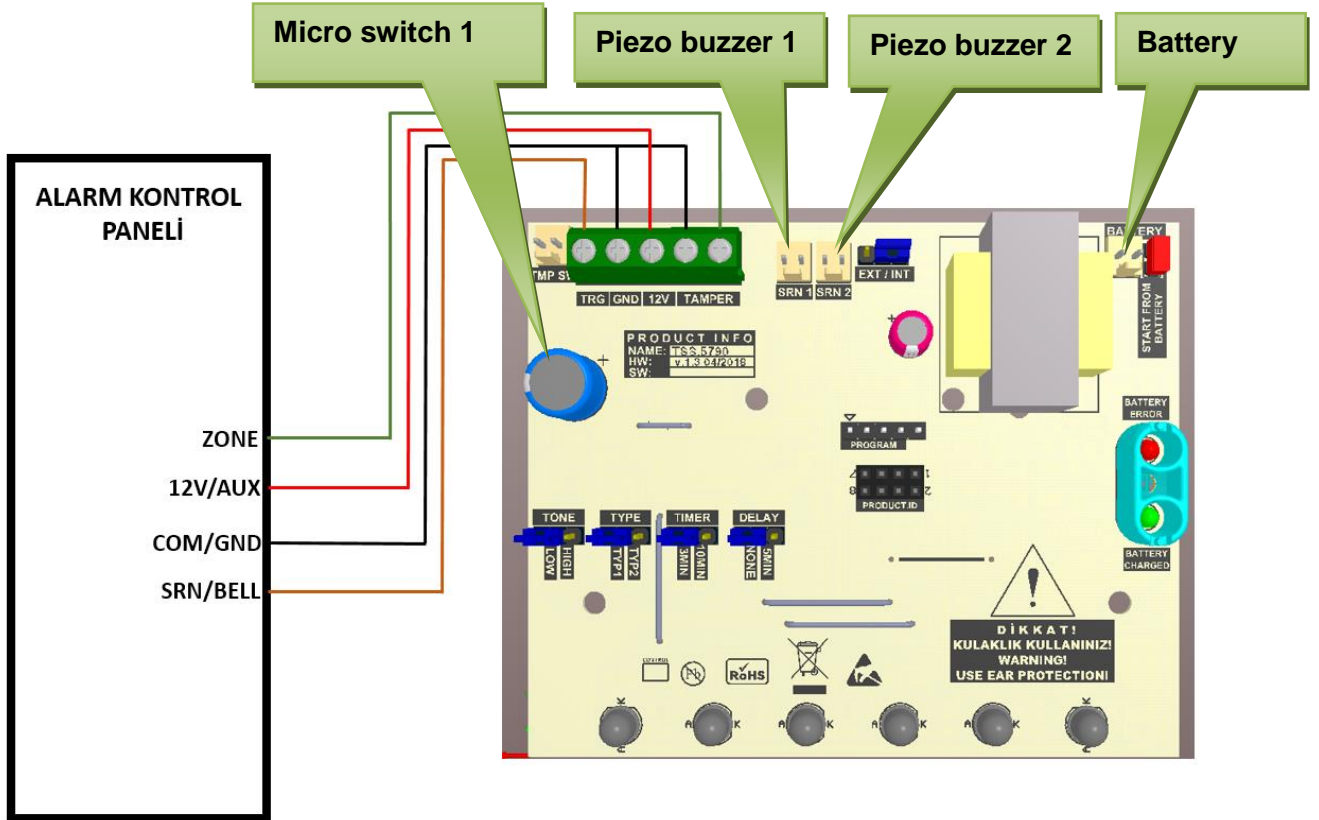


Balcony and eaves should be preferred for the installation to avoid direct rain and sunlight. It should also be ensured that the mounted place is easily visible but not easily accessible. Mark the mounting holes and the location of the cable entry hole using the back plate of the siren or the template behind the cardboard box. Drill the holes using an 8mm drill bit and attach the plugs. Drill the cable hole behind the wall using a drill bit longer than the wall thickness. Mount the sounder to the wall using the screws provided and the appropriate Phillips screwdriver. Do not forget to run the cable through the hole in the body. Adjust the tamper "switch" lever to the mounting surface when installing. Do not forget to screw the protection plate to the device during installation.

!!! WARNING !!!: Make sure that the siren will be installed at least

5 cm from all sides of the wall.

CABLE CONNECTIONS



EXAMPLE: Siren connection with 4 lines with sabotage

SUGGESTIONS!

If more than one siren is to be connected, one of the sirens is used in EXT and others in the INT position to prevent the sirens from drawing more current than the panel. "The sirens in the INT position are fed from their batteries at the time of the alarm.

BATTERY / BATTERY USE

Battery is used according to your siren model.

- **TSS-5790 B / R:** In these sirens, NiMH rechargeable battery (battery) with a capacity of 6V 350mAh is used and the factory is installed. Only the connector of the battery must be installed at the location indicated on the card after installation.

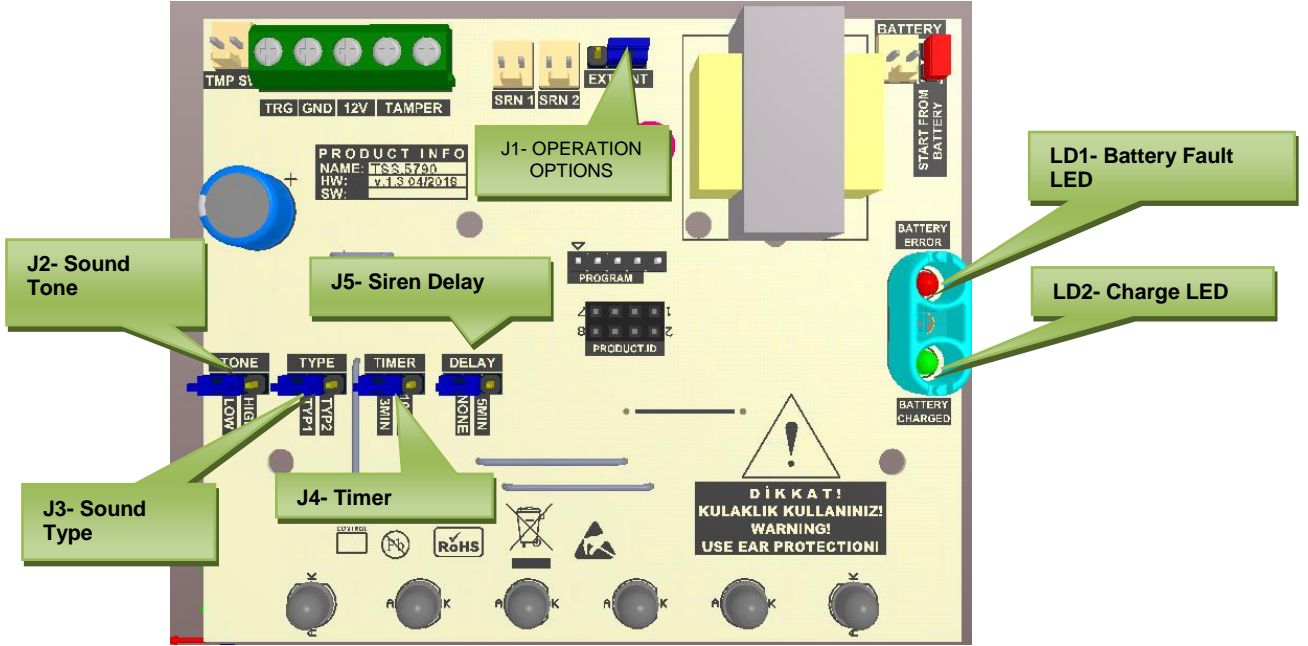
WARNING!

Be careful of the direction of the battery when installing, never use batteries other than the specified type, voltage and size.

ATTENTION!

If a rechargeable battery is not used, the siren is operated, but the ambient conditions and the shelf life of the battery are not guaranteed to provide the expected performance at the time of the alarm or even the operation of the siren. Batteries must be checked periodically for this risk.

SETTINGS



J1 OPERATION OPTION (PWR):

EXT: The supply of the siren is provided from the panel if it is disconnected from the panel. The battery is used if the panel is disconnected.

INT: In all cases the siren is supplied by its own battery. In this case the current consumption is reduced. The sound level of the siren is slightly reduced in this position. **Factory default is "EXT"**.

J2 – Sound Tone:

This setting allows the siren to be thin ("LO") or thicker ("HI"). **Factory default is "HI"**.

J3 – Sound Type:

If desired, the siren sound can be selected from two different shapes with the help of this switch. 1. Type is the classic sound of siren and the second is a sound similar to fire sound. **Factory default is "1"**.

J4 – Timer:

Indicates how long the siren will sound at the time of the alarm. 3/10 minutes selectable. **Factory default is 3min.**

J5 – Siren Delay (DLY):

The siren determines the detection delay time when commissioning. 5 minutes selectable.

LD1 – Battery Fault LED (RED):

Lit when the battery is not connected and malfunctioning.

LD2 – Charge LED (Green):

Battery is lit in case of trickle charging and fully charged.

Status	Battery Fault (Red)	Battery Full (Green)	Charge Current	Result
Normal Charge	OFF	OFF	64mA.	Charging
Trickle Charge	OFF	ON	40mA.	Battery Charge, Discharge is blocked
Charging Cutt	ON	OFF	0mA.	Battery Defective or No input voltage

MANUFACTURER

Bilgi Elektronik A.Ş.

Address:

Dudullu Organize Sanayi Bölgesi 1. Cadde İsmet Tarman İş Merkezi No:1 Kat:2 No:32 Ümraniye/İstanbul

Tel.: 0 216 455 88 46

Fax: 0 216 455 99 06

www.bilgielektronik.com.tr Sales: sales@bilgielektronik.com.tr

